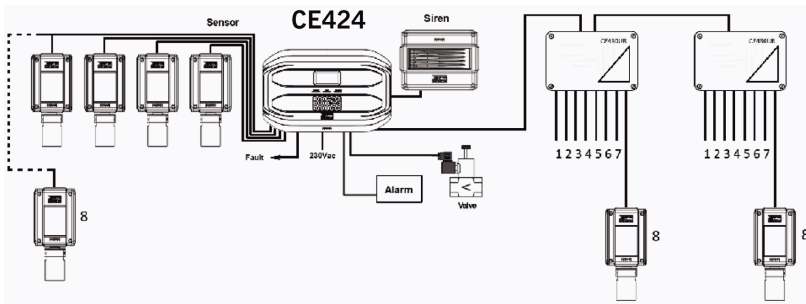


MICROPROCESSED CENTRAL FOR CONTROL OF 4 TO 24 ZONES

AE/GI-CE424PD

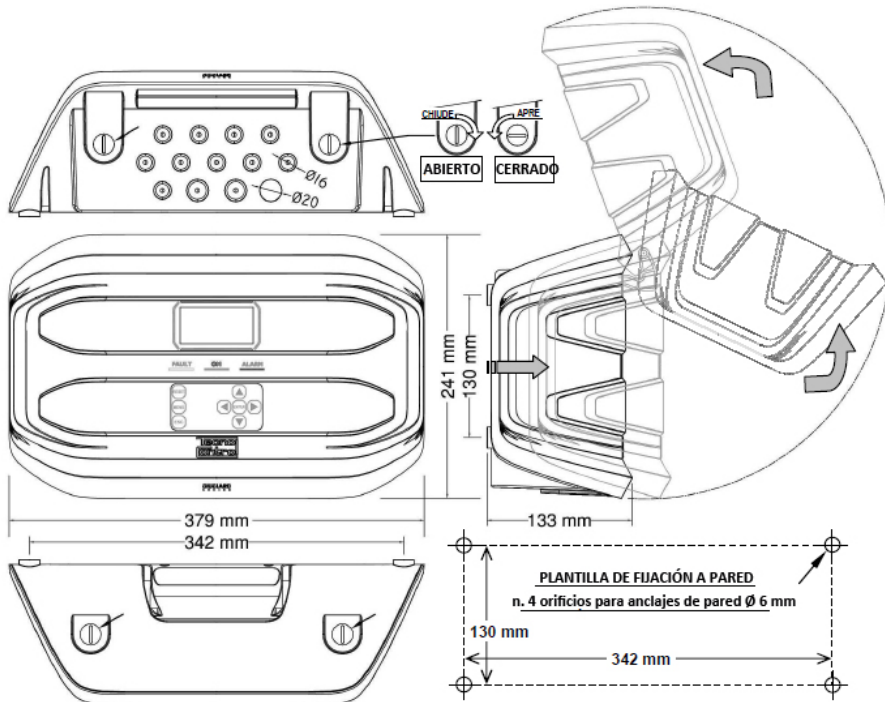
Description

Microprocessed control unit for the control of up to 24 4-20 mA gas sensors (zones). Provided with 4 zones of detectors, 5 programmable output relays 1 a logic input. Programming of 3 alarm levels and one fault level per zone. It has a backlit display that shows the information in real time of the values recorded from the connected sensors. Internal memory of the last 100 events. AND, OR and PARKING functions available for the zones. Built-in RESET function. Optional Modbus RTU output via AE/GI-ES415 card.



Expandable 4 more zones by means of the AE/GI-ES404 card.
Expandable 4 more outputs by means of the AE/GI-ES414 card.
The rest of the zones must be housed in AE/GI-CE380UR 8-zone remote control units.
The maximum number of remote units is 2.

Dimensions



TECHNICAL CHARACTERISTICS

Power supply:	230Vac
Inputs:	maximum 24 detectors (4 installed expandable to 24 with no.1 ES404 and no.2 CE380UR)
Logic inputs:	maximum 1
Output relay:	max. 25 (5 installed expandable to 25 with no.1 ES414 and no.2 CE380UR)
Reproduction capacity:	3A (resistive) SPDT 230Vac
Alarm levels:	3 programmable levels + fault, zone programmable level
Dimensions:	285 (l) x230 (h) x140 (p) mm
Protection:	IP40